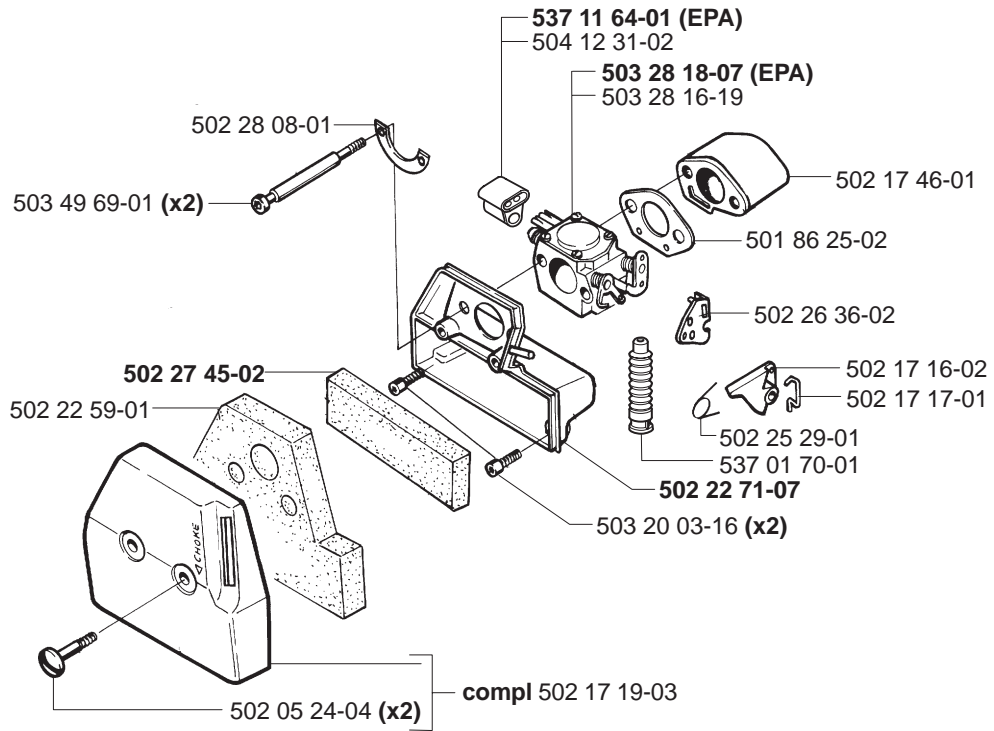
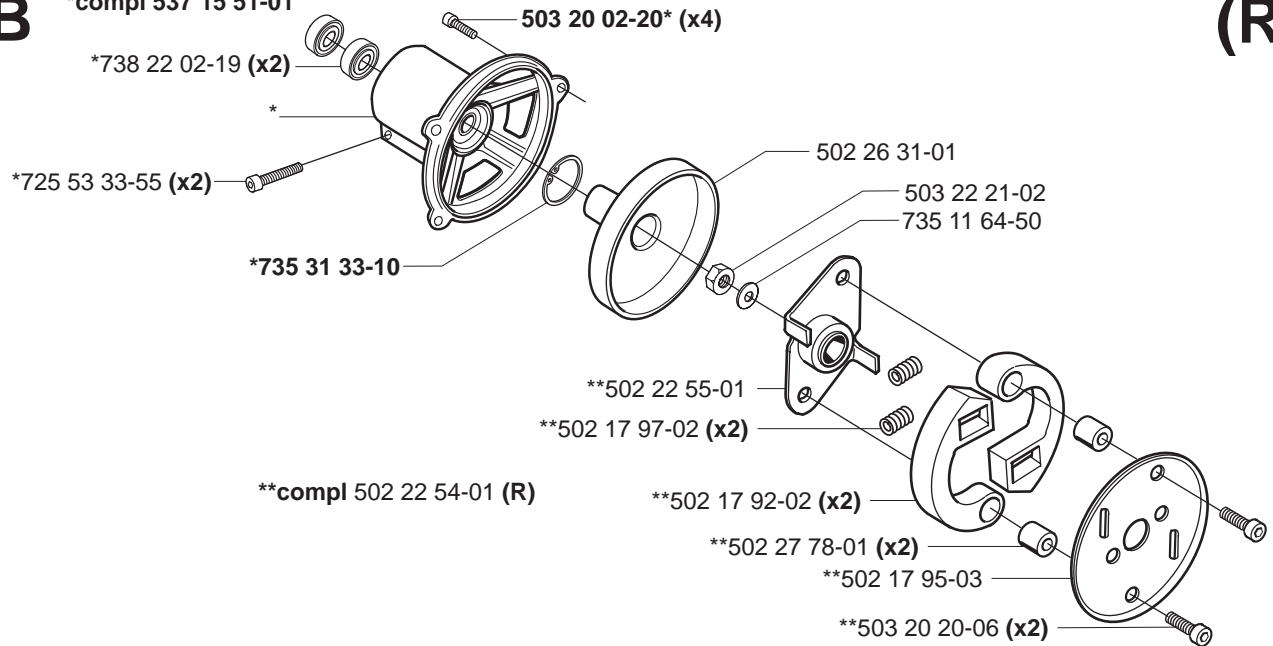
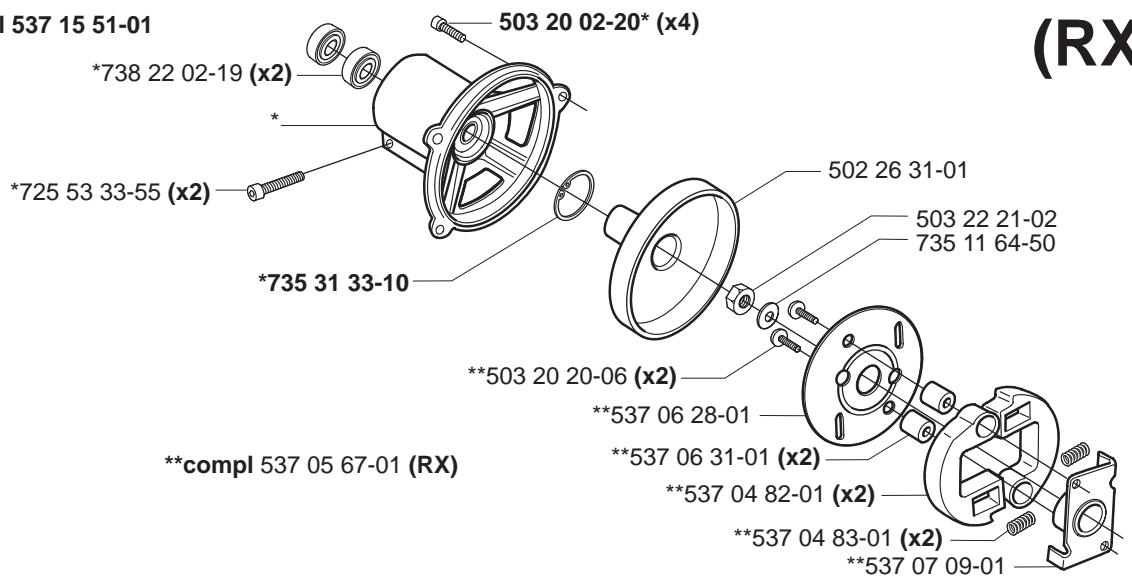


A**B**

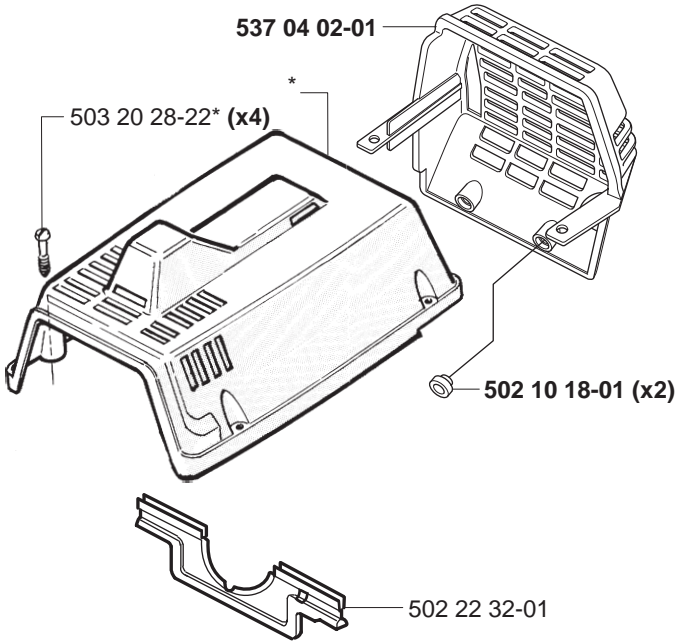
*compl 537 15 51-01

**(R)****C**

*compl 537 15 51-01

**(RX)**

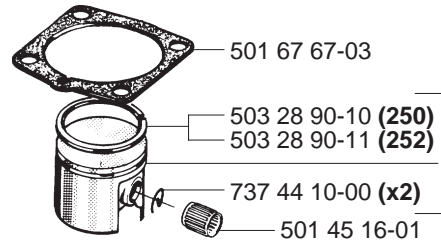
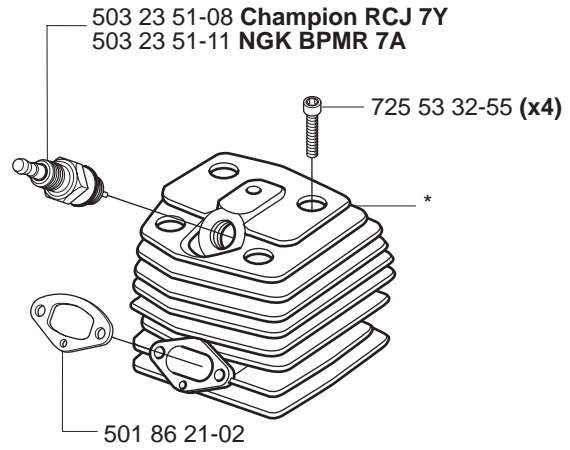
D *compl 502 22 46-05



502 21 26-28 (250R) — **250 R**
Husqvarna

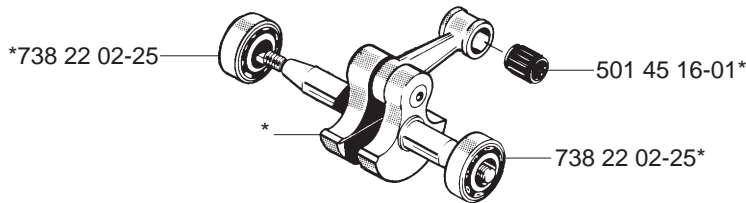
502 21 26-29 (252RX) — **252 RX**
Husqvarna

E *compl 502 27 34-01 (250 R)
 *compl 502 22 77-02 (252 RX)

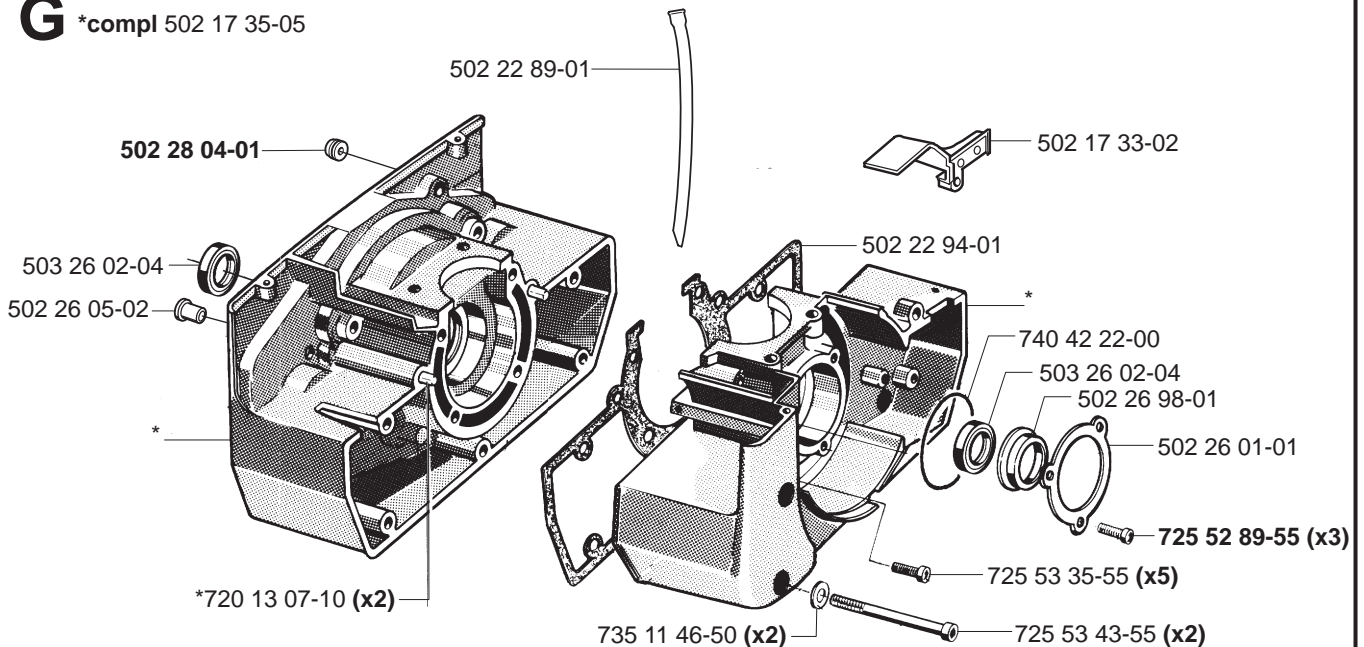


*502 27 35-01 (250 R)
 *502 22 79-01 (252 RX)

F *compl 502 05 08-74

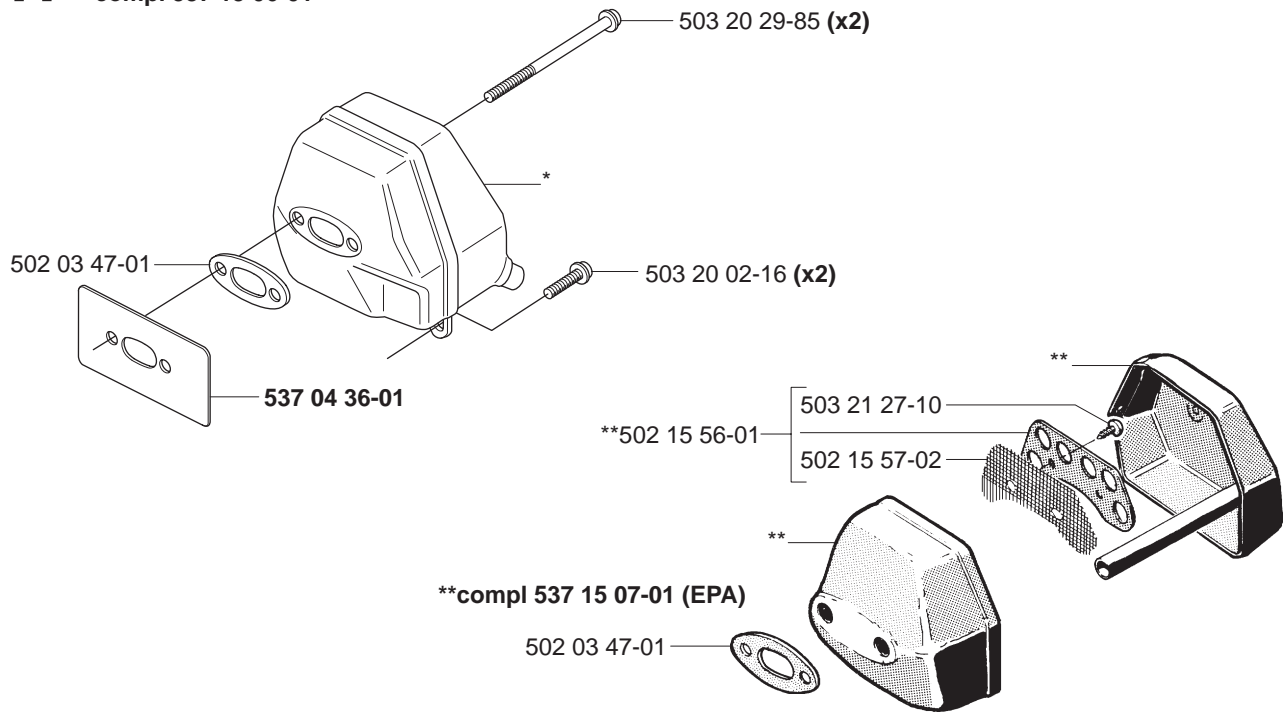


G *compl 502 17 35-05



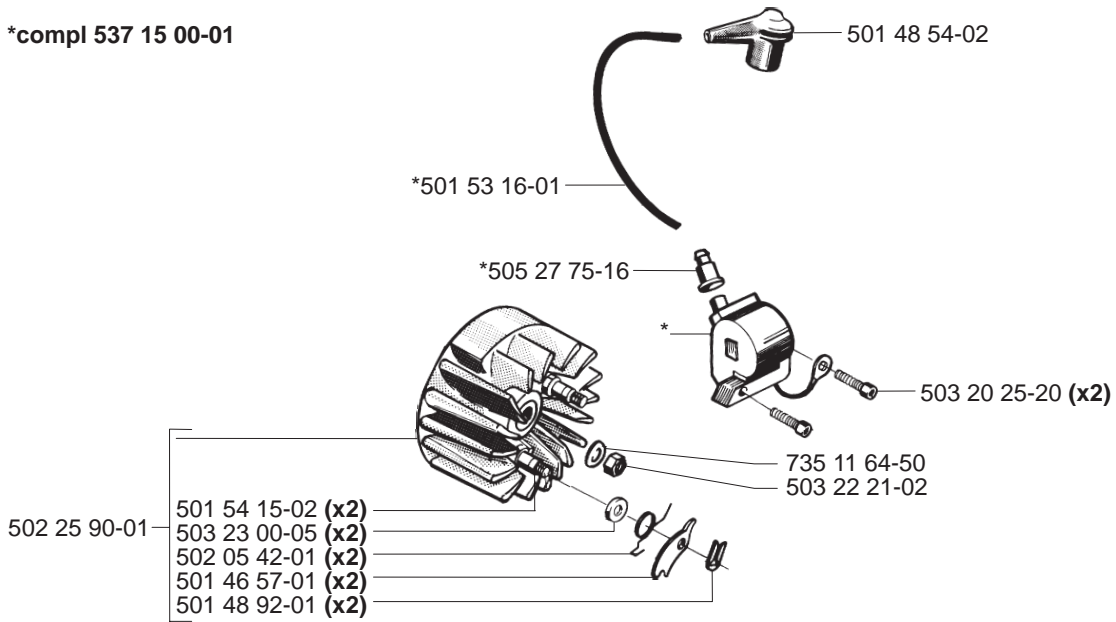
H

*compl 537 15 06-01



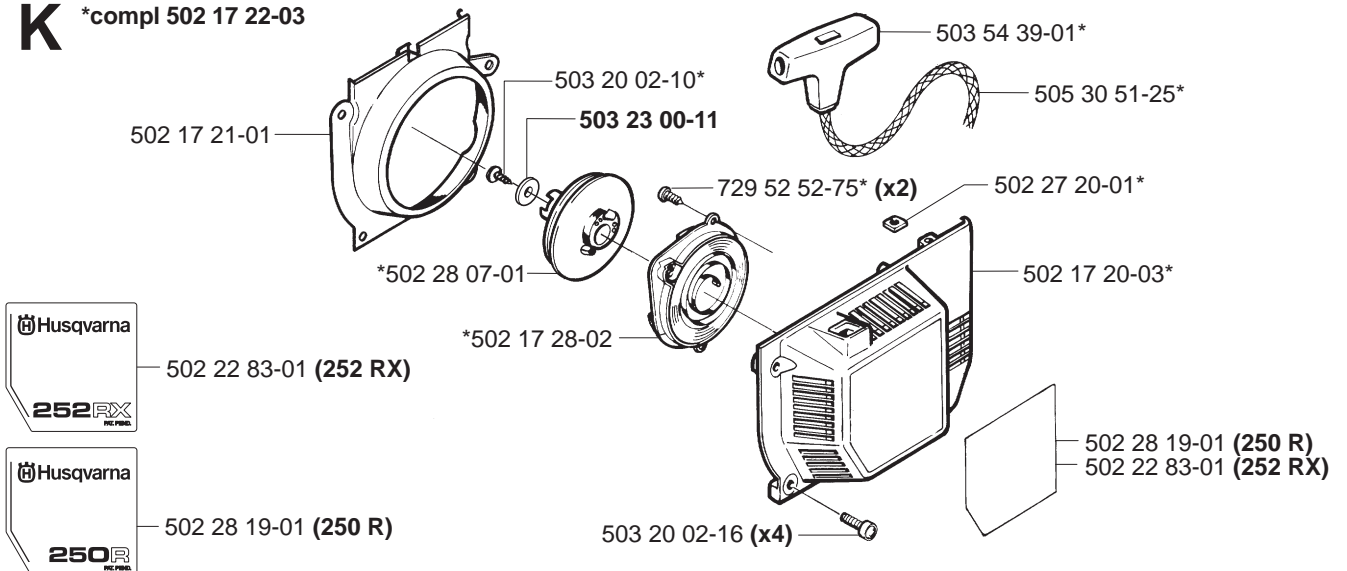
J

*compl 537 15 00-01



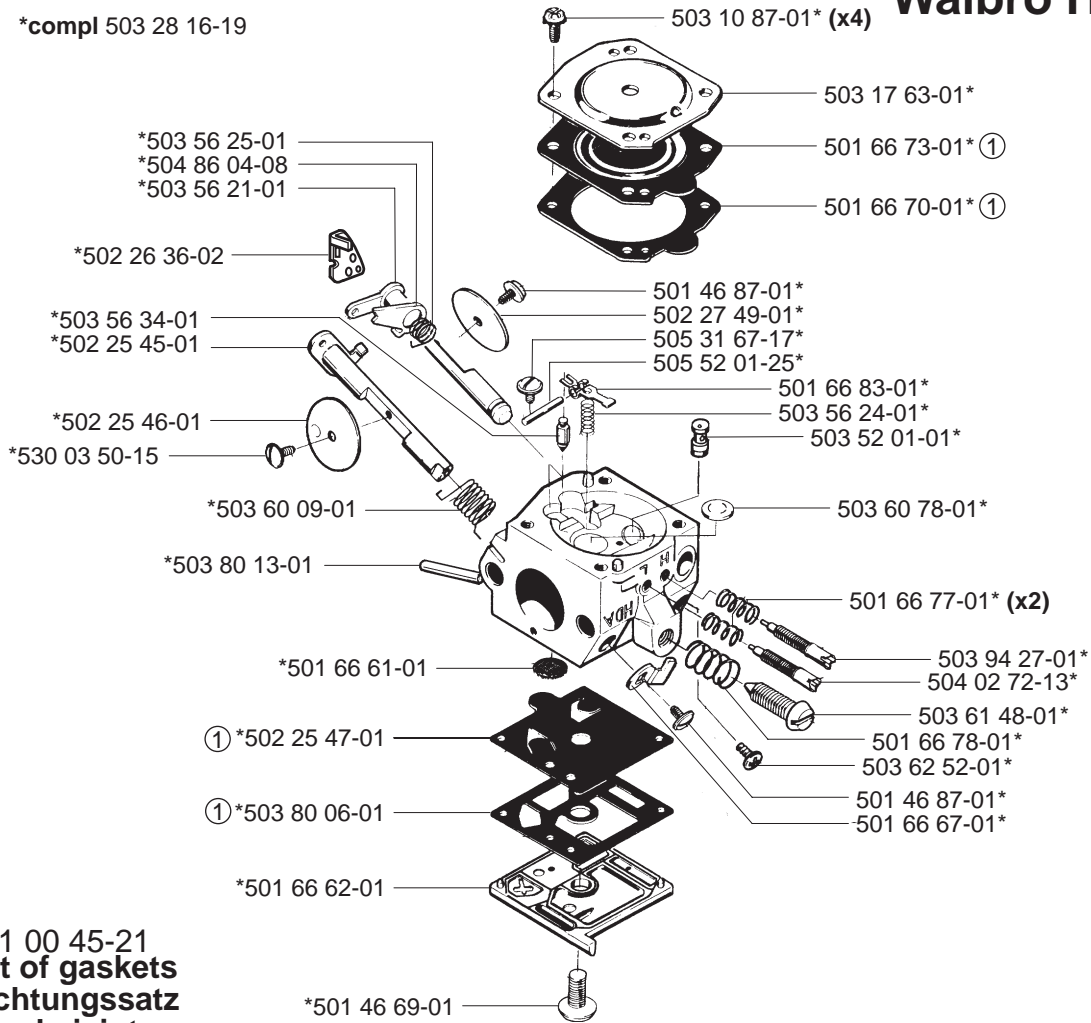
K

*compl 502 17 22-03



L

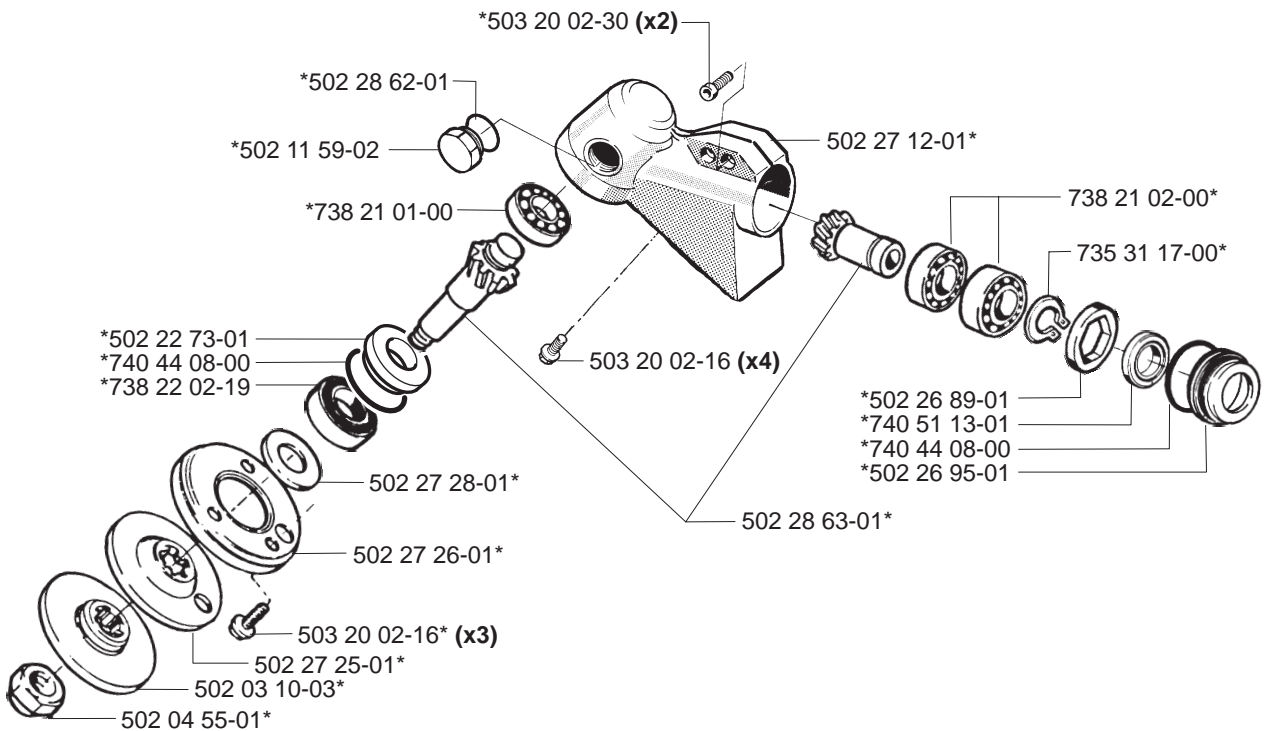
*compl 503 28 16-19

Walbro HDA-142

① 531 00 45-21
Set of gaskets
Dichtungssatz
Jeu de joints
Juego de juntas
Packningssatz

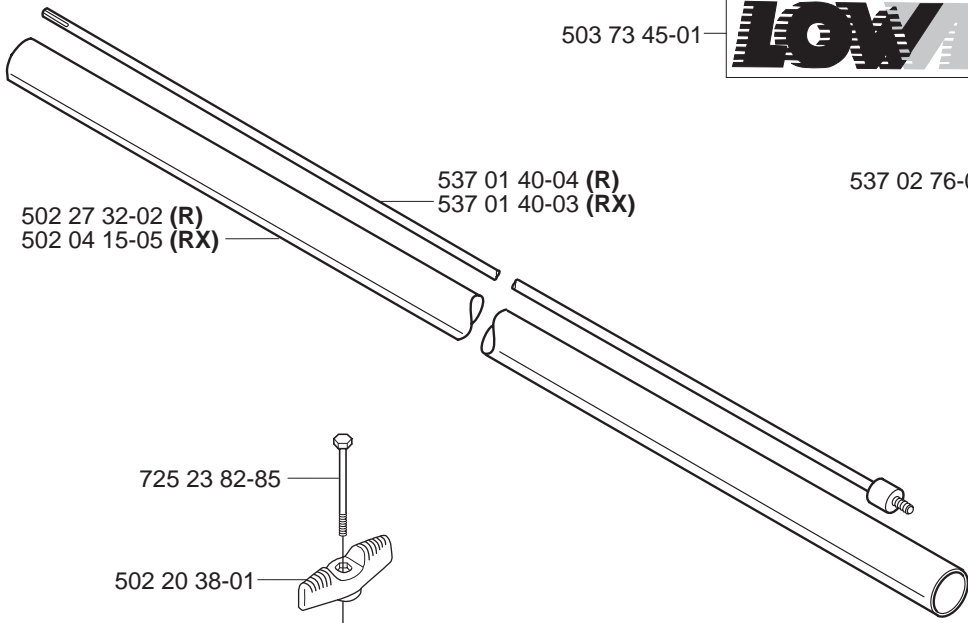
M

*compl 502 27 11-02



N

503 73 45-01



537 02 76-02

725 23 82-85

502 20 38-01

503 20 02-25 (x2)

502 27 64-01

502 28 21-01

502 27 63-01

502 28 03-01

503 21 06-16 (x2)

502 22 15-01

503 20 02-35 (x2)

502 19 71-01

503 22 10-12 (x2)

502 22 19-01 (x2)

502 22 16-01

503 82 80-05

501 27 82-01

503 57 89-01

503 21 06-32 (x2)

502 20 68-02

501 76 83-30

503 44 32-01

503 20 02-16 (x2)

502 27 81-01

502 11 51-04

503 21 06-19 (x5)

502 28 13-01 (x2)

compl 503 99 76-01

503 20 02-45

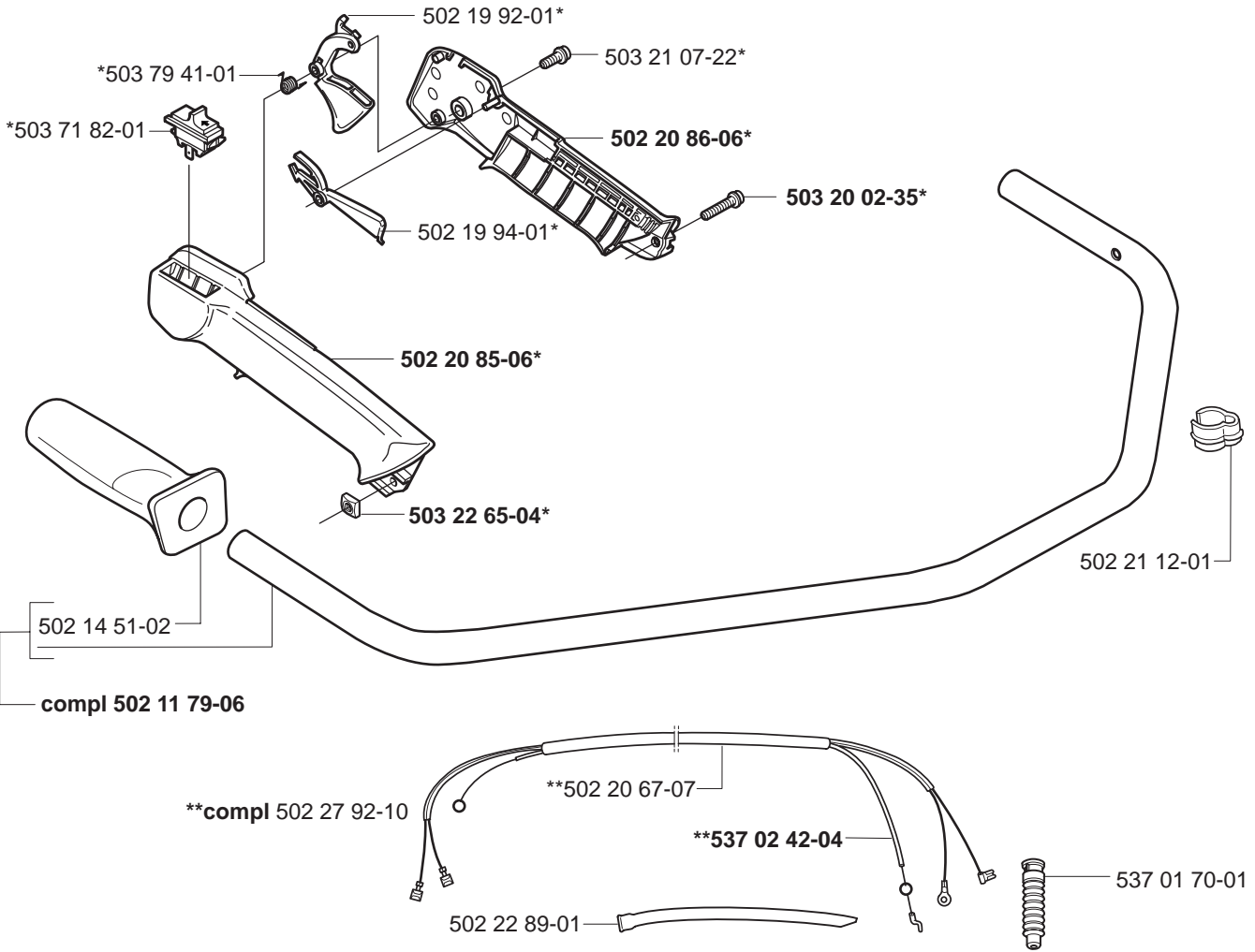
503 23 00-62

537 00 76-01

503 99 75-01

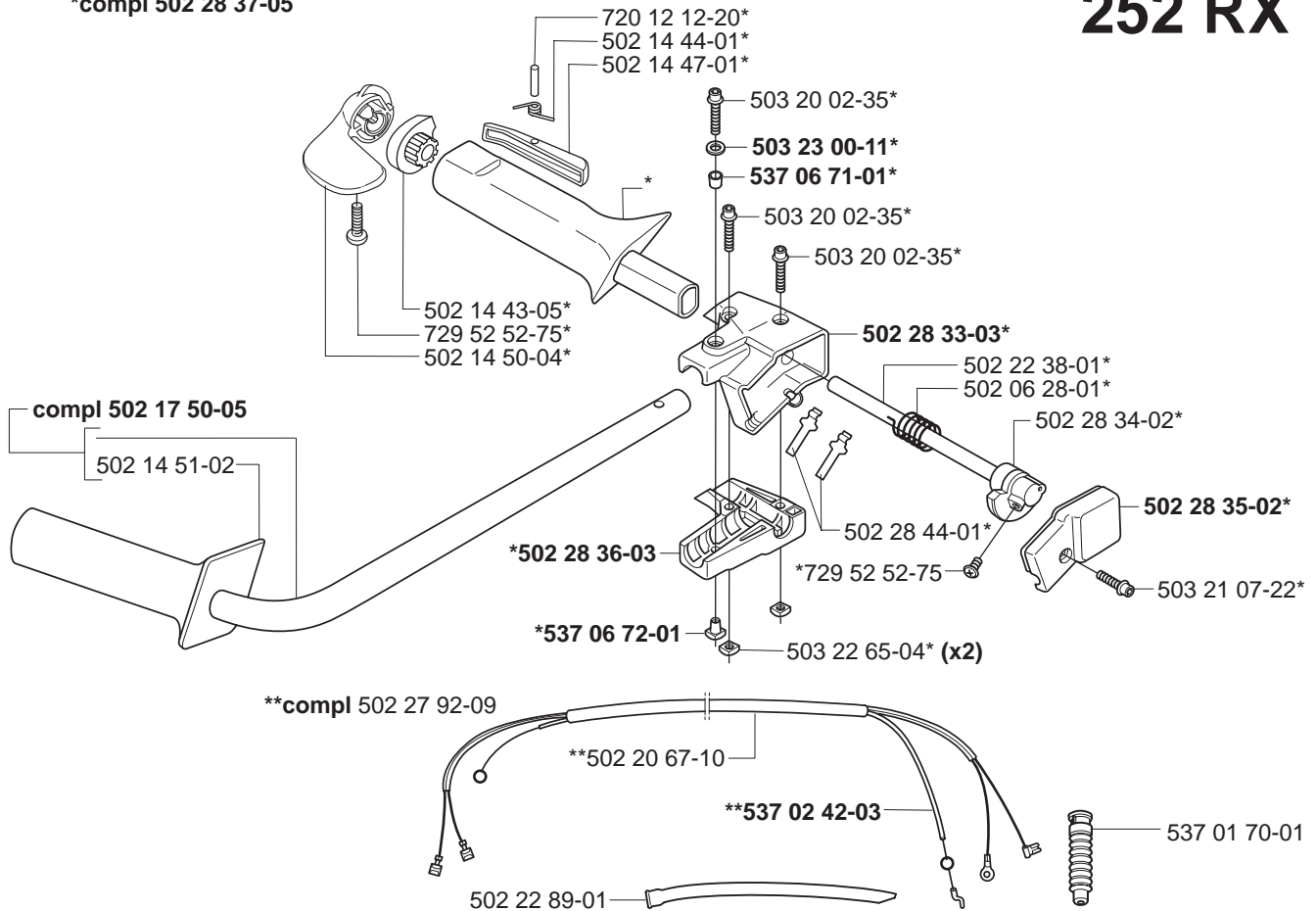
P *compl 502 28 06-14

250 R



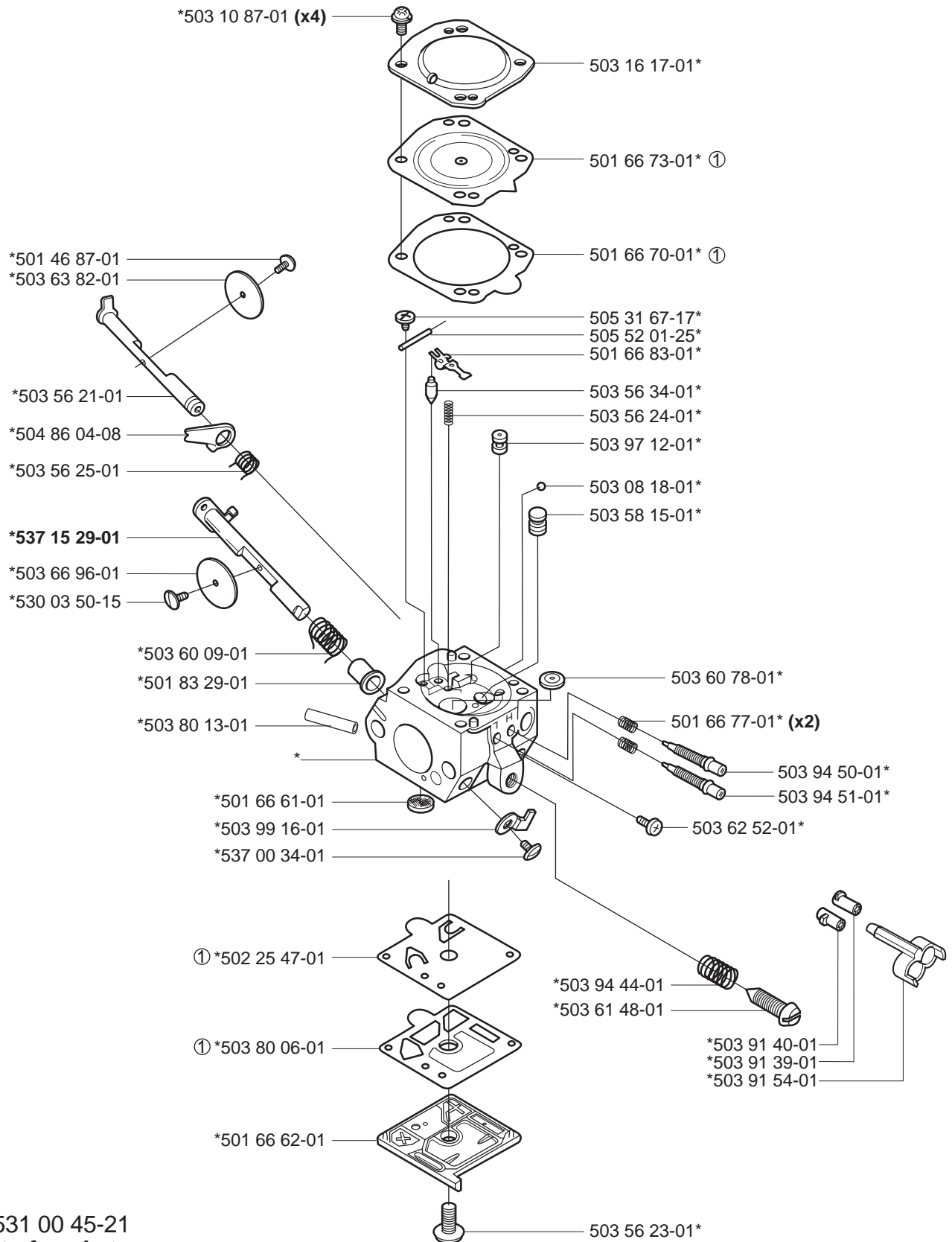
*compl 502 28 37-05

252 RX



Q

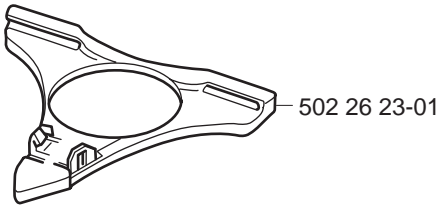
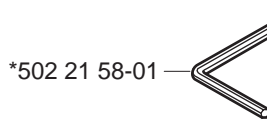
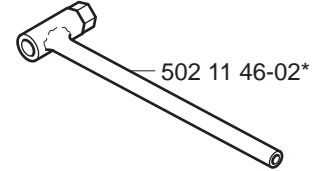
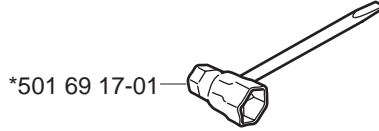
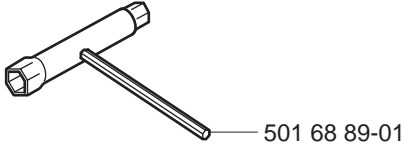
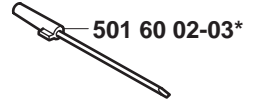
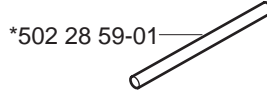
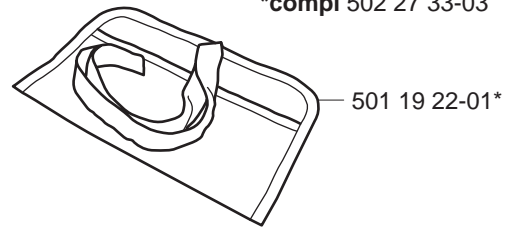
*compl 503 28 18-07 Walbro HDA 187 (EPA)

Walbro HDA-187

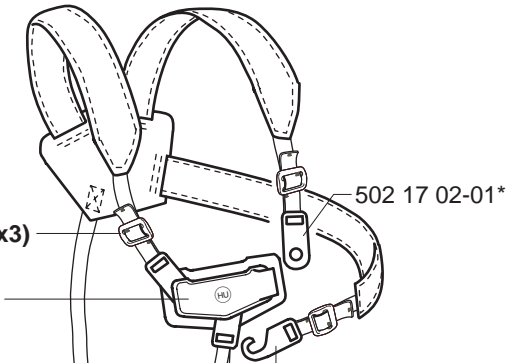
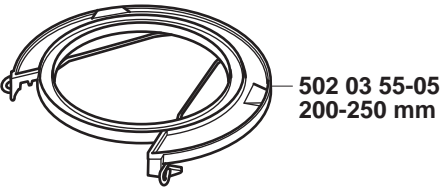
① 531 00 45-21
Set of gaskets
Dichtungssatz
Jeu de joints
Juego de juntas
Packningssats

R Accessories
 Zubehöre
 Accessoires
 Accesorios
 Tillbehör

*compl 502 27 33-03



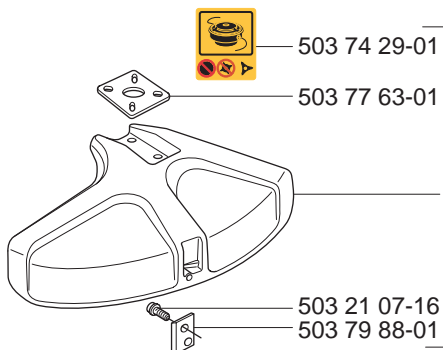
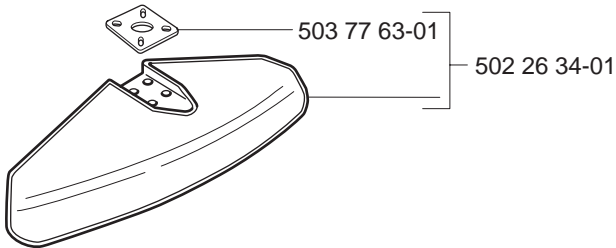
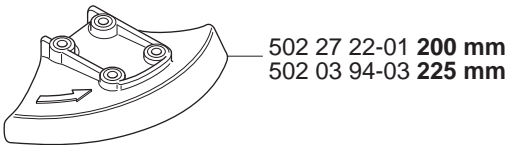
*compl 502 02 00-02
 *compl 502 02 00-03 (USA)



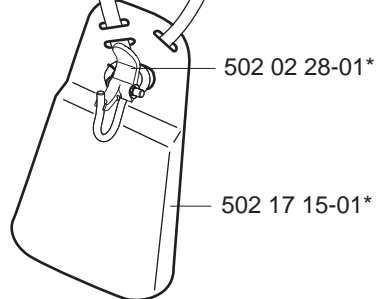
*537 11 35-01 (x3)

*502 02 01-01

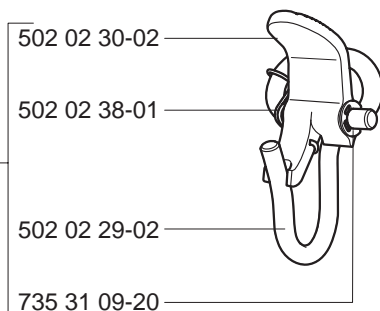
502 02 06-01*



compl 503 91 60-01

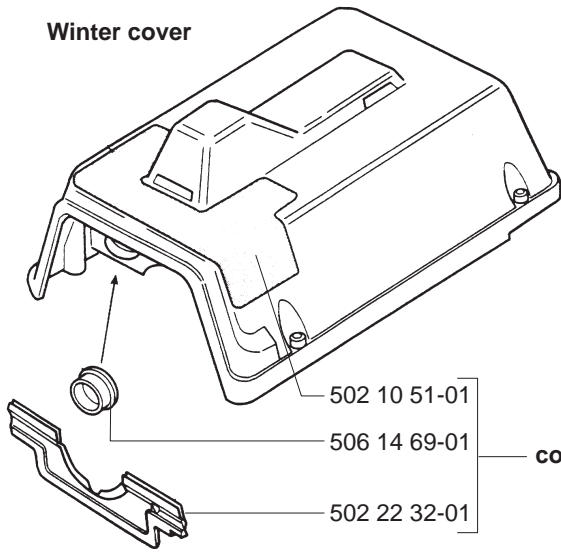


**compl 502 02 28-01

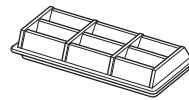


S Delivery as spare part only
Nur als Ersatzteil lieferbar
Livvable seulement comme pièce de rechange
Solo como repuesto
Levereras endast som reservdel

Winter cover



compl 502 22 91-01



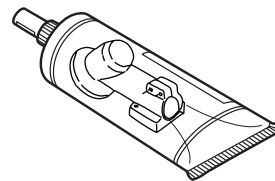
502 17 25-01 (Standard)
502 17 25-02 (Non Woven)

Olja Luftfilter
Oil Airfilter
Öl Luftfilter
Aceite Filtro Air
Huile Filtera aire

1,0 lit.



531 00 60-76



503 97 64-01